

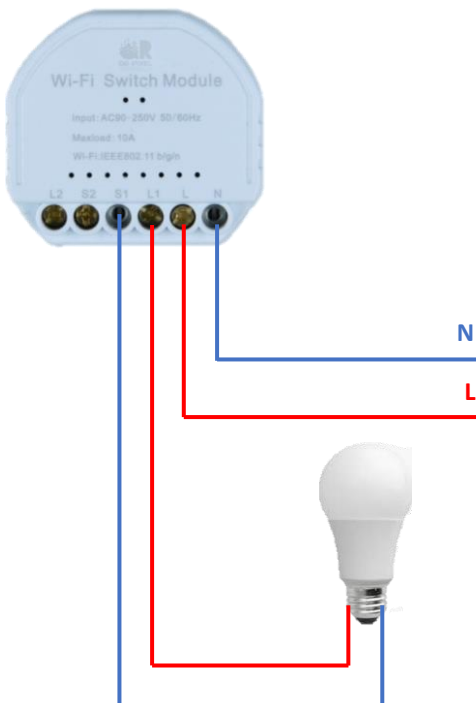
DESCRIPTION:

Qlite, Smart 1 way modular Switch lets you convert any non smart device into a smart device. You can switch any device On/Off according to a schedule, with a smart App, and with the installation of accessories, in responds to voice commands.

SPECIFICATIONS

- Single channels switching.
- Schedule the timing ON/OFF
- Input voltage : AC 100-240 50/60Hz
- Max Load : 400W
- Wireless Type: WIFI 2.4 Ghz
- Wireless standard :IEEE 802.11 b/g/n
- WIFI range 30M

WIRING DIAGRAM



ADVANTAGES:

- Easy Installation - Quick installation with step-by-step guide.
- Converts a non-smart switching device into a fully automated smart switching device.
- Advanced control of non-smart devices. Automated switching function which can be controlled from the Qlite Home App or by voice control.
- Hand-free Voice Control – Compatible with Amazon Alexa and Google home. Make your hand-free smart home life more convenient and easier.
- You can set a Timer and Schedule of the Smart Wi-Fi 1-way switches from anywhere. All Qlite smart switches can be combined in one group, so you can switch/on/off different devices with one click.
- Real time status display on the Qlite Home app.
- It can be easily fixed on the back of a 3x3 physical switch